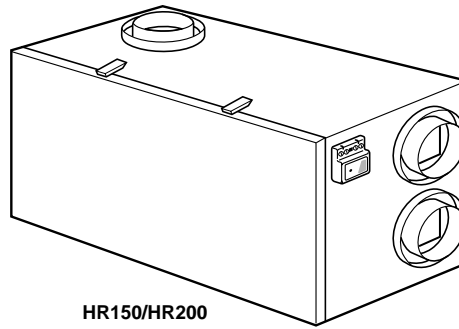


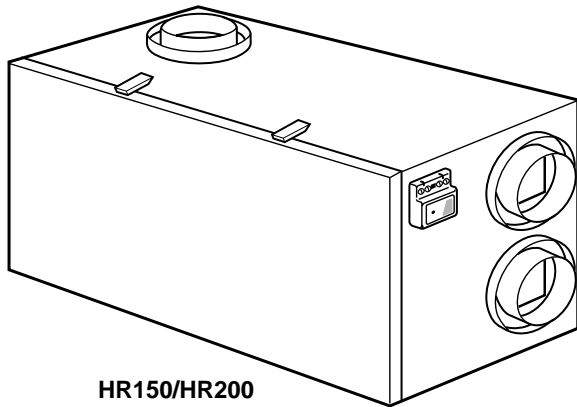
HR150/HR200

**Honeywell Perfect Window™
Fresh Air Ventilation System
Heat Recovery Ventilator (HRV)
Model HR150/HR200**

- Provides fresh air year 'round.
- Dilutes fumes, smoke and odors.
- Acts like an open window without security concerns.
- Saves energy cost compared to an open window.
- Operates quietly.
- Attaches to central forced air system.



HR150/HR200



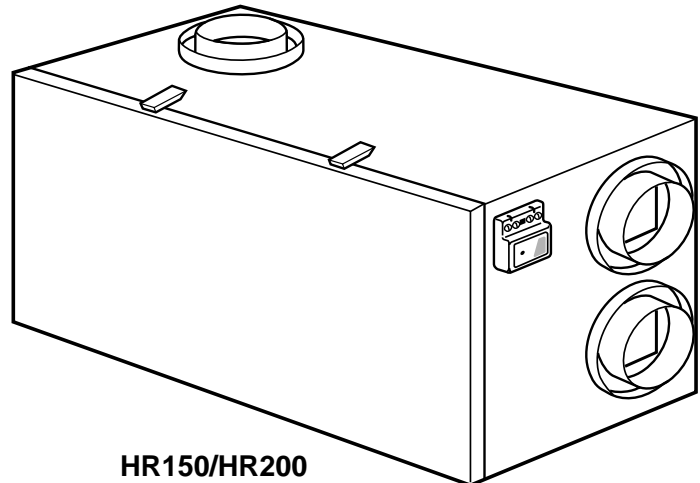
HR150/HR200

**Honeywell Perfect Window™
Fresh Air Ventilation System
Heat Recovery Ventilator (HRV)
Model HR150/HR200**

- Provides fresh air year 'round.
- Dilutes fumes, smoke and odors.
- Acts like an open window without security concerns.
- Saves energy cost compared to an open window.
- Operates quietly.
- Attaches to central forced air system.

**Honeywell Perfect Window™
Fresh Air Ventilation System
Heat Recovery Ventilator (HRV)
Model HR150/HR200**

- Provides fresh air year 'round.
- Dilutes fumes, smoke and odors.
- Acts like an open window without security concerns.
- Saves energy cost compared to an open window.
- Operates quietly.
- Attaches to central forced air system.



HR150/HR200

Honeywell

Honeywell

*(rules may be shortened, logotype must remain
flush right, positioned at the bottom of ad)*

